

Resin Folding Chairs Specifications

Benefits:

- Unique straight leg design for greater stability
- Rust-free construction with stainless steel hardware
- 1,000+ lbs. static load capacity

SPECIFICATIONS

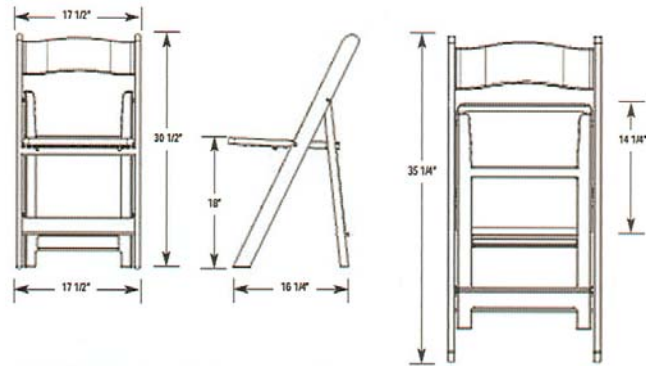
Seat Height	Overall Height	Width	Weight	Seat Depth	Footprint
18"	30.5"	17.5"	11 Lbs.	14.25"	16.25" L x 17.5" W



Features:

- Reinforced back legs
- Frame-to-frame aluminum seat support
- Non-stick, anti-static finish
- UV protected

The "Max" folding chair's special stain resistant resin makes cleaning and maintenance easy, while the durable construction ensures safe and stable use. Your best choice for a classic event chair!



Fine quality and practical design make this folding chair perfect for your event.
They are safe for indoor or outdoor use.